

NOARK

Catalog

22mm Pilot Devices

LED Indicator Lights and Pushbuttons



Ex9IL Series



Ex9PB Series

NOARK Electric

Electrical Equipment Supplier for Distribution and Control



NOARK Electric is a global supplier of electrical distribution and control products that address a variety of customer needs, ranging from components to intelligent system solutions. Our global product lines include: circuit breakers, contactors, relays and intelligent control. Based in Shanghai, China, NOARK Electric was established in 2007 and covers the globe with regional headquarters in North America and Europe.

Globally, NOARK Electric serves the industrial, commercial, utility and residential markets. In North America, NOARK Electric focuses primarily on industrial OEMs, users and associated channel partners. Our motto is "Excellent Product...Exceptional Value," which NOARK Electric delivers to our customer by maintaining local inventory, providing local sales, customer service and support and manufacturing quality, and aggressively priced products backed by a five-year limited warranty.

Quality Product

- Backed by a 5-year limited warranty*



Exceptional Value

- Reduce the cost of products
- Improve profitability
- Increase margins

Local Support and Local Inventory

- Superb customer service
- Knowledgeable technical support
- Dedicated sales force
- Well-stocked inventory
- North American headquarters

*Limited warranty

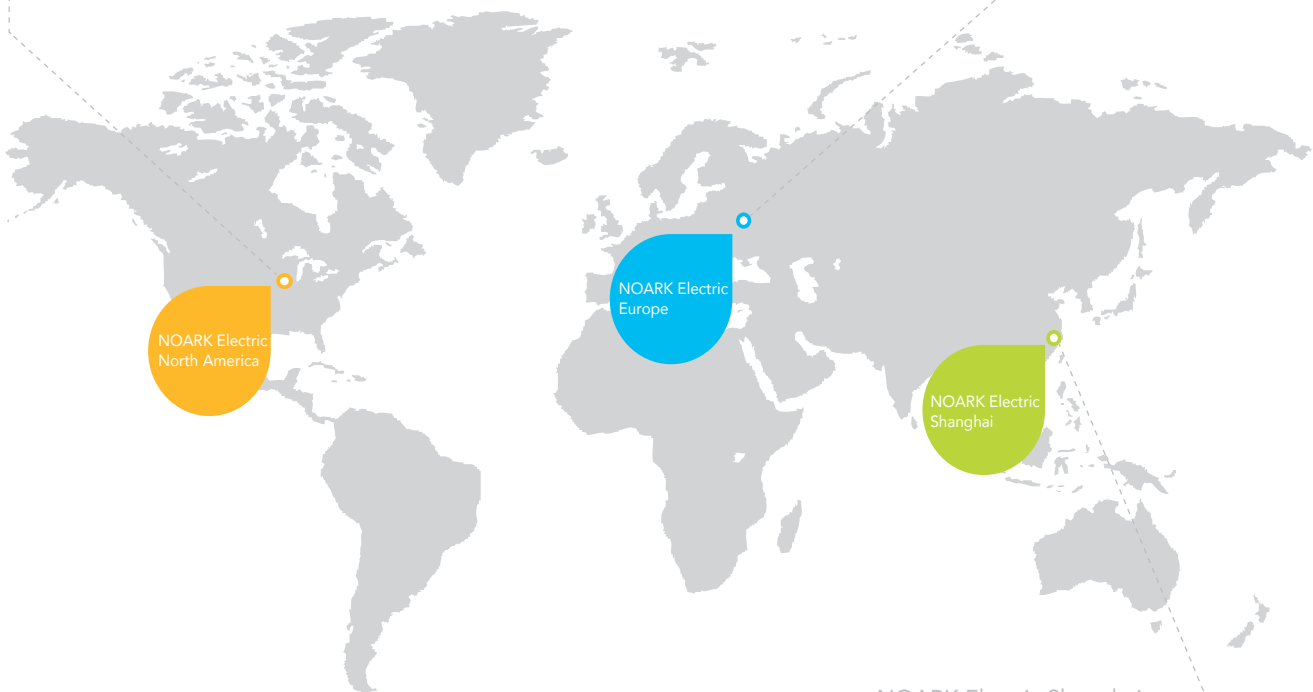
NOARK Electric

International Locations in North America, Europe and China



NOARK Electric North America

NOARK Electric Europe



NOARK Electric North America

NOARK Electric Europe

NOARK Electric Shanghai

NOARK Electric Shanghai





Noark Electric

Table of Contents

A 22mm Indicator Lights

| | |
|--|----|
| Product Overview..... | A3 |
| National and International Standards | A4 |
| Product Selection Guide | A5 |
| Specifications | A6 |
| Products | |
| Ex9IL1 Compacted Flat Lampshade | A7 |
| Ex9IL2 Compacted Curve Lampshade..... | A8 |
| Dimensions | A9 |



B 22mm Pushbuttons

| | |
|--|--------|
| Product Overview..... | B11 |
| National and International Standards | B12 |
| Specifications | B13 |
| Product Guide | B14 |
| Non-Illuminated Products | |
| Ex9PBA Momentary Flush..... | B15 |
| Ex9PBA+Symbol Momentary Flush+Symbol | B15 |
| Ex9PBL Momentary Extended | B15 |
| Ex9PBC Momentary Φ 40mm Mushroom Head | B16 |
| Ex9PBR Momentary Φ 60mm Mushroom Head..... | B16 |
| Ex9PBS Push On Φ 30mm Mushroom Head..... | B17 |
| Ex9PBL8 Momentary Double Head Flush/Extended | B17 |
| Ex9PBD Selector Switch - Rotary Knob..... | B18 |
| Ex9PBJ Selector Switch - Rotary Handle..... | B18 |
| Ex9PBG Selector Switch - Key | B19 |
| Illuminated Products | |
| Ex9PBW3 Momentary Flush with Guard..... | B20 |
| Ex9PBW3 380V Momentary Flush with Guard - Transformer | B21 |
| Ex9PBV6 Indicator Light..... | B21 |
| Ex9PBV5 Indicator Light - Transformer | B22 |
| Ex9PBW8 Momentary Double Head Flush+Projecting and Transformer | B22 |
| Dimensions | B23-25 |



C 22mm Pushbutton Accessories

| | |
|--|--------|
| Accessories Overview | C27 |
| Accessories | |
| Replacement Heads - Non-Illuminated..... | C28-29 |
| Replacement Heads - Illuminated | C30 |
| Accessories..... | C31 |
| Contact Blocks and Bases | C32 |
| LED Lamp Replacements | C33 |



22MM LED INDICATOR LIGHTS



Ex91L

22mm Indicator Lights

Ex9IL Product Overview

A

Features

- Metal construction for superior durability and visual appeal
- UL listed and labeled IP65 (front) for protection against dust and water
- LED replaceable lamps are standard for improved brightness and lasts up to 100,000 hours of life in high-vibration environments
- Low behind the panel depth
- Operators mount in a round 7/8" (22.5mm) hole that is interchangeable with competitor's products
- Field convertible from maintained to momentary (available on maintained pushbuttons only)
- Modular construction makes assembly fast and simplifies stocking of components and complete devices

22mm Indicator Lights

Ex9IL National and International Standards

Certifications

- IEC/EN 60947
- VDE 0660
- CE Approved
- UL Listed
- CSA Certified



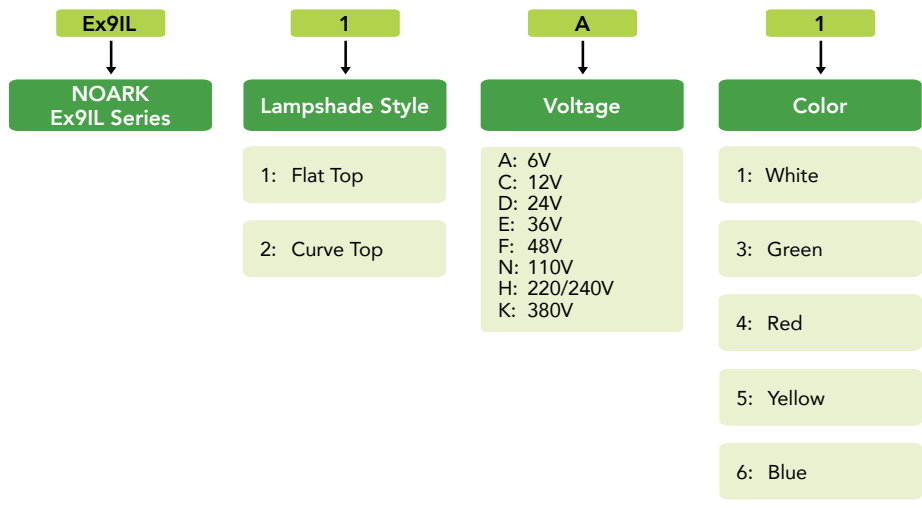
22mm Indicator Lights

Ex9IL Product Selection Guide

Label



Product Selection Guide



22mm Indicator Lights

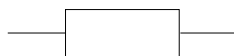
Ex9IL Specifications

| | | Ex9IL |
|--|--------|---------------------|
| Rated Operational Voltage U _e (V) | Vac | 110~400 |
| | Vac/dc | 6~400 |
| Rated Operational Current (mA) | | I _e ≤ 20 |
| Service Life (h) | | ≥ 30000 |
| Brightness (cd/m ²) | | ≥ 60 |
| Basic Colors | | ○ ● ● ● ● ● |

Note: For AC power supply, the limit voltage range is 0.85U_e~1.1U_e between terminals.

22mm Indicator Lights

Ex9IL1 Compacted Flat Lampshade



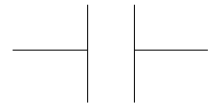
Resistance Type

| Color | LED Lamp Voltage Vac/dc | Product | Part Number |
|-------|-------------------------|----------|-------------|
| ○ | 6 | Ex9IL1A1 | 1200665 |
| ● | | Ex9IL1A3 | 1200666 |
| ● | | Ex9IL1A4 | 1200667 |
| ● | | Ex9IL1A5 | 1200668 |
| ● | | Ex9IL1A6 | 1200669 |
| ○ | | 12 | Ex9IL1C1 |
| ● | Ex9IL1C3 | | 1200671 |
| ● | Ex9IL1C4 | | 1200672 |
| ● | Ex9IL1C5 | | 1200673 |
| ● | Ex9IL1C6 | | 1200674 |
| ○ | 24 | | Ex9IL1D1 |
| ● | | Ex9IL1D3 | 1200676 |
| ● | | Ex9IL1D4 | 1200677 |
| ● | | Ex9IL1D5 | 1200678 |
| ● | | Ex9IL1D6 | 1200679 |
| ○ | | 36 | Ex9IL1E1 |
| ● | Ex9IL1E3 | | 1200681 |
| ● | Ex9IL1E4 | | 1200682 |
| ● | Ex9IL1E5 | | 1200683 |
| ● | Ex9IL1E6 | | 1200684 |
| ○ | 48 | | Ex9IL1F1 |
| ● | | Ex9IL1F3 | 1200686 |
| ● | | Ex9IL1F4 | 1200687 |
| ● | | Ex9IL1F5 | 1200688 |
| ● | | Ex9IL1F6 | 1200689 |

Capacitance Type

| Color | LED Lamp Voltage Vac/dc | Product | Part Number |
|-------|-------------------------|----------|-------------|
| ○ | 110 | Ex9IL1N1 | 1200690 |
| ● | | Ex9IL1N3 | 1200691 |
| ● | | Ex9IL1N4 | 1200692 |
| ● | | Ex9IL1N5 | 1200693 |
| ● | | Ex9IL1N6 | 1200694 |
| ○ | | 220/240 | Ex9IL1H1 |
| ● | Ex9IL1H3 | | 1200696 |
| ● | Ex9IL1H4 | | 1200697 |
| ● | Ex9IL1H5 | | 1200698 |
| ● | Ex9IL1H6 | | 1200699 |
| ○ | 380 | | Ex9IL1K1 |
| ● | | Ex9IL1K3 | 1200701 |
| ● | | Ex9IL1K4 | 1200702 |
| ● | | Ex9IL1K5 | 1200703 |
| ● | | Ex9IL1K6 | 1200704 |

22mm Indicator Lights Ex9IL2 Compacted Curve Lampshade



Resistance Type

| Color | LED Lamp Voltage Vac/dc | Product | Part Number |
|-------|-------------------------|----------|-------------|
| ○ | 6 | Ex9IL2A1 | 1200705 |
| ● | | Ex9IL2A3 | 1200706 |
| ● | | Ex9IL2A4 | 1200707 |
| ● | | Ex9IL2A5 | 1200708 |
| ● | | Ex9IL2A6 | 1200709 |
| ○ | | 12 | Ex9IL2C1 |
| ● | Ex9IL2C3 | | 1200711 |
| ● | Ex9IL2C4 | | 1200712 |
| ● | Ex9IL2C5 | | 1200713 |
| ● | Ex9IL2C6 | | 1200714 |
| ○ | 24 | | Ex9IL2D1 |
| ● | | Ex9IL2D3 | 1200716 |
| ● | | Ex9IL2D4 | 1200717 |
| ● | | Ex9IL2D5 | 1200718 |
| ● | | Ex9IL2D6 | 1200719 |
| ○ | | 36 | Ex9IL2E1 |
| ● | Ex9IL2E3 | | 1200721 |
| ● | Ex9IL2E4 | | 1200722 |
| ● | Ex9IL2E5 | | 1200723 |
| ● | Ex9IL2E6 | | 1200724 |
| ○ | 48 | | Ex9IL2F1 |
| ● | | Ex9IL2F3 | 1200726 |
| ● | | Ex9IL2F4 | 1200727 |
| ● | | Ex9IL2F5 | 1200728 |
| ● | | Ex9IL2F6 | 1200729 |

Capacitance Type

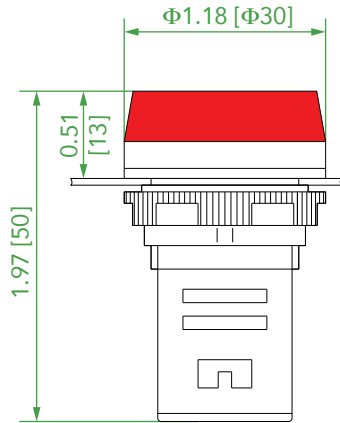
| Color | LED Lamp Voltage Vac/dc | Product | Part Number |
|-------|-------------------------|----------|-------------|
| ○ | 110 | Ex9IL2N1 | 1200730 |
| ● | | Ex9IL2N3 | 1200731 |
| ● | | Ex9IL2N4 | 1200732 |
| ● | | Ex9IL2N5 | 1200733 |
| ● | | Ex9IL2N6 | 1200734 |
| ○ | | 220/240 | Ex9IL2H1 |
| ● | Ex9IL2H3 | | 1200736 |
| ● | Ex9IL2H4 | | 1200737 |
| ● | Ex9IL2H5 | | 1200738 |
| ● | Ex9IL2H6 | | 1200739 |
| ○ | 380 | | Ex9IL2K1 |
| ● | | Ex9IL2K3 | 1200741 |
| ● | | Ex9IL2K4 | 1200742 |
| ● | | Ex9IL2K5 | 1200743 |
| ● | | Ex9IL2K6 | 1200744 |

22mm Indicator Lights

Ex9IL Dimensions

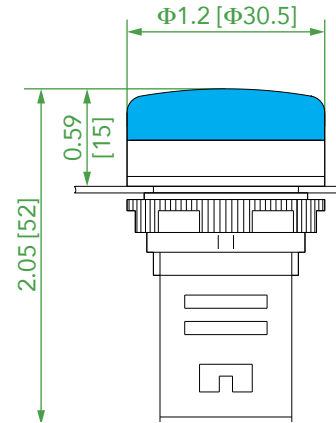
Ex9IL1

Unit: in. [mm]



Ex9IL2

Unit: in. [mm]



22MM PUSHBUTTONS



Ex9PB

22mm Pushbuttons

Ex9PB Product Overview

Features

B

- Metal construction for superior durability and visual appeal
- UL recognized component and labeled IP65 (front) for protection against dust and water
- LED replaceable lamps are standard
- Low behind the panel depth
- Operators mount in a round 7/8" (22.5mm) hole that is interchangeable with competitor's products
- Field convertible from maintained to momentary (available on maintained pushbuttons only)
- More than 1 million mechanical operations on momentary and half million on maintained pushbuttons
- Modular construction makes assembly fast and simplifies stocking of components and complete devices

22mm Pushbuttons

Ex9PB National and International Standards

Certifications

- IEC/EN 60947
- VDE 0660
- CE Approved
- UL Recognized Component
- CSA Certified

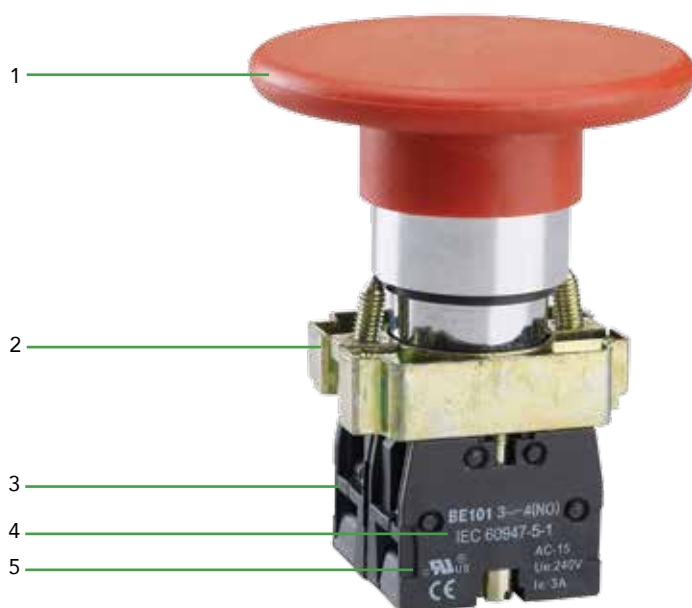


22mm Pushbuttons

Ex9PB Specifications

Label

B



- 1 Head
- 2 Middle Adapter
- 3 Base
- 4 IEC Standard
- 5 UL Recognized Component and CE Mark

| | | Ex9PB | | |
|--------------------------------------|--------|----------------------|------|------------------------------|
| Rated Operational Voltage U_e (V) | | 125 | 240 | 415 |
| Rated Operational Current (mA) | 15 Vac | - | 3 | 1.9 |
| | 13 Vdc | 0.55 | 0.27 | - |
| Illuminated Button Lamp Parameters | | Direct Type LED Lamp | | Transformer Type 6V LED Lamp |
| Rated Operational Current I_e (mA) | | $I_e \leq 20$ | | $I_e \leq 20$ |
| Rated Operational Voltage (V) | | 6~230 Vac/dc | | 230~380 Vac/dc |

Note: 1) Rated insulation voltage U_i : 415V
 2) Conventional thermal current I_{th} : 10A

22mm Pushbuttons Ex9PB Product Guide



Non-Illuminated
Momentary Flush
B15



Non-Illuminated
Momentary Flush+Symbol
B15



Non-Illuminated
Momentary Extended
B15



Non-Illuminated Momentary
F40mm Mushroom Head
B16



Non-Illuminated Momentary
F60mm Mushroom Head
B16



Non-Illuminated Push On/Twist
Off F30~50mm Mushroom Head
B17



Non-Illuminated Momentary
Double Head - Flush
B17



Non-Illuminated Momentary
Double Head - Extended
B17



Non-Illuminated
Selector Switch - Rotary Knob
B18



Non-Illuminated
Selector Switch - Rotary Handle
B18



Non-Illuminated
Selector Switch - Key
B19



Illuminated
Momentary Flush with Guard
B20



Illuminated
Momentary Flush w/
Guard - Transformer
B21



Illuminated
Indicator Light
B21



Illuminated
Indicator Light
Transformer
B22



Illuminated
Momentary Double Head
Flush+Projecting
B22



Illuminated
Momentary Double Head
Flush+Projecting
Transformer
B22

22mm Pushbuttons

Ex9PBA, Ex9PBA Symbol and Ex9PBL Non-Illuminated



Certifications
IEC/EN 60947-5-1

CE cRUus



B

Momentary Flush

| Color | Contacts | Product | Part Number |
|-------|----------|----------|-------------|
| ○ | 1NO | Ex9PBA11 | 1200000 |
| ● | | Ex9PBA21 | 1200001 |
| ● | | Ex9PBA31 | 1200002 |
| ● | | Ex9PBA41 | 1200003 |
| ● | | Ex9PBA51 | 1200004 |
| ● | | Ex9PBA61 | 1200005 |
| ○ | 1NC | Ex9PBA12 | 1200006 |
| ● | | Ex9PBA22 | 1200007 |
| ● | | Ex9PBA32 | 1200008 |
| ● | | Ex9PBA42 | 1200009 |
| ● | | Ex9PBA52 | 1200010 |
| ● | | Ex9PBA62 | 1200011 |
| ○ | 2NO | Ex9PBA13 | 1200012 |
| ● | | Ex9PBA23 | 1200013 |
| ● | | Ex9PBA33 | 1200014 |
| ● | | Ex9PBA43 | 1200015 |
| ● | | Ex9PBA53 | 1200016 |
| ● | | Ex9PBA63 | 1200017 |
| ○ | 2NC | Ex9PBA14 | 1200018 |
| ● | | Ex9PBA24 | 1200019 |
| ● | | Ex9PBA34 | 1200020 |
| ● | | Ex9PBA44 | 1200021 |
| ● | | Ex9PBA54 | 1200022 |
| ● | | Ex9PBA64 | 1200023 |
| ○ | 1NO+1NC | Ex9PBA15 | 1200024 |
| ● | | Ex9PBA25 | 1200025 |
| ● | | Ex9PBA35 | 1200026 |
| ● | | Ex9PBA45 | 1200027 |
| ● | | Ex9PBA55 | 1200028 |
| ● | | Ex9PBA65 | 1200029 |

Momentary Flush+Symbol

| Color | Contacts | Product | Part Number |
|-------|----------|------------|-------------|
| ● | 1NO | Ex9PBA3311 | 1200030 |
| ● | 1NO+1NC | Ex9PBA2365 | 1200031 |
| ● | 1NC | Ex9PBA4322 | 1200032 |
| ● | 1NO | Ex9PBA2351 | 1200033 |
| ● | 1NO+1NC | Ex9PBA1345 | 1200034 |



Momentary Extended

| Color | Contacts | Product | Part Number |
|-------|----------|----------|-------------|
| ○ | 1NO+1NC | Ex9PBL15 | 1200039 |
| ● | 1NO | Ex9PBL21 | 1200040 |
| ● | 1NO | Ex9PBL31 | 1200036 |
| ● | 1NC | Ex9PBL42 | 1200035 |
| ● | 1NO+1NC | Ex9PBL55 | 1200037 |
| ● | 1NO+1NC | Ex9PBL65 | 1200038 |

For accessories, see pages C27-33.

22mm Pushbuttons Ex9PBC and Ex9PBR Non-Illuminated



Momentary Φ 40mm Mushroom Head

| Color | Contacts | Product | Part Number |
|-------|----------|----------|-------------|
| ○ | 1NO | Ex9PBC11 | 1200378 |
| ● | | Ex9PBC21 | 1200379 |
| ● | | Ex9PBC31 | 1200380 |
| ● | | Ex9PBC41 | 1200381 |
| ● | | Ex9PBC51 | 1200382 |
| ● | | Ex9PBC61 | 1200383 |
| ○ | 1NC | Ex9PBC12 | 1200384 |
| ● | | Ex9PBC22 | 1200385 |
| ● | | Ex9PBC32 | 1200386 |
| ● | | Ex9PBC42 | 1200387 |
| ● | | Ex9PBC52 | 1200388 |
| ● | | Ex9PBC62 | 1200389 |
| ○ | 2NO | Ex9PBC13 | 1200390 |
| ● | | Ex9PBC23 | 1200391 |
| ● | | Ex9PBC33 | 1200392 |
| ● | | Ex9PBC43 | 1200393 |
| ● | | Ex9PBC53 | 1200394 |
| ● | | Ex9PBC63 | 1200395 |
| ○ | 2NC | Ex9PBC14 | 1200396 |
| ● | | Ex9PBC24 | 1200397 |
| ● | | Ex9PBC34 | 1200398 |
| ● | | Ex9PBC44 | 1200399 |
| ● | | Ex9PBC54 | 1200400 |
| ● | | Ex9PBC64 | 1200401 |
| ○ | 1NO+1NC | Ex9PBC15 | 1200402 |
| ● | | Ex9PBC25 | 1200403 |
| ● | | Ex9PBC35 | 1200404 |
| ● | | Ex9PBC45 | 1200405 |
| ● | | Ex9PBC55 | 1200406 |
| ● | | Ex9PBC65 | 1200407 |

Momentary Φ 60mm Mushroom Head

| Color | Contacts | Product | Part Number |
|-------|----------|----------|-------------|
| ○ | 1NO | Ex9PBR11 | 1200408 |
| ● | | Ex9PBR21 | 1200409 |
| ● | | Ex9PBR31 | 1200410 |
| ● | | Ex9PBR41 | 1200411 |
| ● | | Ex9PBR51 | 1200412 |
| ● | | Ex9PBR61 | 1200413 |
| ○ | 1NC | Ex9PBR12 | 1200414 |
| ● | | Ex9PBR22 | 1200415 |
| ● | | Ex9PBR32 | 1200416 |
| ● | | Ex9PBR42 | 1200417 |
| ● | | Ex9PBR52 | 1200418 |
| ● | | Ex9PBR62 | 1200419 |
| ○ | 2NO | Ex9PBR13 | 1200420 |
| ● | | Ex9PBR23 | 1200421 |
| ● | | Ex9PBR33 | 1200422 |
| ● | | Ex9PBR43 | 1200423 |
| ● | | Ex9PBR53 | 1200424 |
| ● | | Ex9PBR63 | 1200425 |
| ○ | 2NC | Ex9PBR14 | 1200426 |
| ● | | Ex9PBR24 | 1200427 |
| ● | | Ex9PBR34 | 1200428 |
| ● | | Ex9PBR44 | 1200429 |
| ● | | Ex9PBR54 | 1200430 |
| ● | | Ex9PBR64 | 1200431 |
| ○ | 1NO+1NC | Ex9PBR15 | 1200432 |
| ● | | Ex9PBR25 | 1200433 |
| ● | | Ex9PBR35 | 1200434 |
| ● | | Ex9PBR45 | 1200435 |
| ● | | Ex9PBR55 | 1200436 |
| ● | | Ex9PBR65 | 1200437 |

For accessories, see pages C27-33.

22mm Pushbuttons

Ex9PBS and Ex9PBL8 Non-Illuminated



B

Push On/Twist Off Φ 30mm Mushroom Head

| Color | Contacts | Product | Part Number |
|-------|----------|-----------|-------------|
| ● | 1NO | Ex9PBS441 | 1200448 |
| | 1NC | Ex9PBS442 | 1200449 |
| | 2NO | Ex9PBS443 | 1200450 |
| | 2NC | Ex9PBS444 | 1200451 |
| | 1NO+1NC | Ex9PBS445 | 1200452 |

Momentary Double Head - Flush

| Color | Contacts | Product | Part Number |
|-------|----------|------------|-------------|
| ● + ● | 1NO+1NC | Ex9PBL8325 | 1200438 |

Push On/Twist Off Φ 40 Mushroom Head

| | | | |
|---|---------|-----------|---------|
| ● | 1NO | Ex9PBS541 | 1200453 |
| | 1NC | Ex9PBS542 | 1200454 |
| | 2NO | Ex9PBS543 | 1200455 |
| | 2NC | Ex9PBS544 | 1200456 |
| | 1NO+1NC | Ex9PBS545 | 1200457 |



Push On/Twist Off Φ 60 Mushroom Head

| | | | |
|---|---------|-----------|---------|
| ● | 1NO | Ex9PBS641 | 1200458 |
| | 1NC | Ex9PBS642 | 1200459 |
| | 2NO | Ex9PBS643 | 1200460 |
| | 2NC | Ex9PBS644 | 1200461 |
| | 1NO+1NC | Ex9PBS645 | 1200462 |

Momentary Double Head - Extended

| Color | Contacts | Product | Part Number |
|-------|----------|------------|-------------|
| ● + ● | 1NO+1NC | Ex9PBL8425 | 1200439 |

For accessories, see pages C27-33.

22mm Pushbuttons Ex9PBD and Ex9PBJ Non-Illuminated



Selector Switch - Rotary Knob

| Positions | Contacts | Product | Part Number |
|-------------------|----------|----------|-------------|
| 2-Position | | | |
| | 1NO | Ex9PBD21 | 1200503 |
| | 1NC | Ex9PBD22 | 1200504 |
| | 2NO | Ex9PBD23 | 1200505 |
| | 2NC | Ex9PBD24 | 1200506 |
| | 1NO+1NC | Ex9PBD25 | 1200507 |
| | 1NO | Ex9PBD41 | 1200508 |
| | 1NC | Ex9PBD42 | 1200509 |
| | 2NO | Ex9PBD43 | 1200510 |
| | 2NC | Ex9PBD44 | 1200511 |
| | 1NO+1NC | Ex9PBD45 | 1200512 |
| 3-Position | | | |
| | 2NO | Ex9PBD33 | 1200538 |
| | 2NC | Ex9PBD34 | 1200539 |
| | 1NO+1NC | Ex9PBD35 | 1200540 |
| | 2NO | Ex9PBD53 | 1200541 |
| | 2NC | Ex9PBD54 | 1200542 |
| | 1NO+1NC | Ex9PBD55 | 1200543 |

Selector Switch - Rotary Handle

| Positions | Contacts | Product | Part Number |
|-------------------|----------|----------|-------------|
| 2-Position | | | |
| | 1NO | Ex9PBJ21 | 1200513 |
| | 1NC | Ex9PBJ22 | 1200514 |
| | 2NO | Ex9PBJ23 | 1200515 |
| | 2NC | Ex9PBJ24 | 1200516 |
| | 1NO+1NC | Ex9PBJ25 | 1200517 |
| | 1NO | Ex9PBJ41 | 1200518 |
| | 1NC | Ex9PBJ42 | 1200519 |
| | 2NO | Ex9PBJ43 | 1200520 |
| | 2NC | Ex9PBJ44 | 1200521 |
| | 1NO+1NC | Ex9PBJ45 | 1200522 |
| 3-Position | | | |
| | 2NO | Ex9PBJ33 | 1200544 |
| | 2NC | Ex9PBJ34 | 1200545 |
| | 1NO+1NC | Ex9PBJ35 | 1200546 |
| | 2NO | Ex9PBJ53 | 1200547 |
| | 2NC | Ex9PBJ54 | 1200548 |
| | 1NO+1NC | Ex9PBJ55 | 1200549 |

For accessories, see pages C27-33.

22mm Pushbuttons

Ex9PBG Non-Illuminated



Certifications
IEC/EN 60947-5-1

CE **cRU** **us**

B

Selector Switch - Key

| Positions | Contacts | Product | Part Number |
|-------------------|----------|-----------|-------------|
| 2-Position | | | |
| | 1NO | Ex9PBG21 | 1200523 |
| | 1NC | Ex9PBG22 | 1200524 |
| | 2NO | Ex9PBG23 | 1200525 |
| | 2NC | Ex9PBG24 | 1200526 |
| | 1NO+1NC | Ex9PBG25 | 1200527 |
| | 1NO | Ex9PBG21B | 1200528 |
| | 1NC | Ex9PBG22B | 1200529 |
| | 2NO | Ex9PBG23B | 1200530 |
| | 2NC | Ex9PBG24B | 1200531 |
| | 1NO+1NC | Ex9PBG25B | 1200532 |
| | 1NO | Ex9PBG41 | 1200533 |
| | 1NC | Ex9PBG42 | 1200534 |
| | 2NO | Ex9PBG43 | 1200535 |
| | 2NC | Ex9PBG44 | 1200536 |
| | 1NO+1NC | Ex9PBG45 | 1200537 |
| 3-Position | | | |
| | 2NO | Ex9PBG33 | 1200550 |
| | 2NC | Ex9PBG34 | 1200551 |
| | 1NO+1NC | Ex9PBG35 | 1200552 |
| | 2NO | Ex9PBG53 | 1200553 |
| | 2NC | Ex9PBG54 | 1200554 |
| | 1NO+1NC | Ex9PBG55 | 1200555 |
| | 2NO | Ex9PBG33D | 1200556 |
| | 2NC | Ex9PBG34D | 1200557 |
| | 1NO+1NC | Ex9PBG35D | 1200558 |

For accessories, see pages C27-33.

22mm Pushbuttons Ex9PBW3 Illuminated



Momentary Flush with Guard

| Color | LED Lamp Voltage Vac/dc | Product | | Product | | Product | | Product | | Product | |
|-----------------------|-------------------------|-------------|-------------|-------------|-------------|-------------|-------------|-------------|-------------|-------------|-------------|
| | | 1NO | Part Number | 1NC | Part Number | 2NO | Part Number | 2NC | Part Number | 1NO+1NC | Part Number |
| ○ ● ● ● ● | 6 | Ex9PBW3161A | 1200153 | Ex9PBW3162A | 1200193 | Ex9PBW3163A | 1200233 | Ex9PBW3164A | 1200273 | Ex9PBW3165A | 1200313 |
| | | Ex9PBW3361A | 1200154 | Ex9PBW3362A | 1200194 | Ex9PBW3363A | 1200234 | Ex9PBW3364A | 1200274 | Ex9PBW3365A | 1200314 |
| | | Ex9PBW3461A | 1200155 | Ex9PBW3462A | 1200195 | Ex9PBW3463A | 1200235 | Ex9PBW3464A | 1200275 | Ex9PBW3465A | 1200315 |
| | | Ex9PBW3561A | 1200156 | Ex9PBW3562A | 1200196 | Ex9PBW3563A | 1200236 | Ex9PBW3564A | 1200276 | Ex9PBW3565A | 1200316 |
| | | Ex9PBW3661A | 1200157 | Ex9PBW3662A | 1200197 | Ex9PBW3663A | 1200237 | Ex9PBW3664A | 1200277 | Ex9PBW3665A | 1200317 |
| ○ ● ● ● ● | 12 | Ex9PBW3161C | 1200158 | Ex9PBW3162C | 1200198 | Ex9PBW3163C | 1200238 | Ex9PBW3164C | 1200278 | Ex9PBW3165C | 1200318 |
| | | Ex9PBW3361C | 1200159 | Ex9PBW3362C | 1200199 | Ex9PBW3363C | 1200239 | Ex9PBW3364C | 1200279 | Ex9PBW3365C | 1200319 |
| | | Ex9PBW3461C | 1200160 | Ex9PBW3462C | 1200200 | Ex9PBW3463C | 1200240 | Ex9PBW3464C | 1200280 | Ex9PBW3465C | 1200320 |
| | | Ex9PBW3561C | 1200161 | Ex9PBW3562C | 1200201 | Ex9PBW3563C | 1200241 | Ex9PBW3564C | 1200281 | Ex9PBW3565C | 1200321 |
| | | Ex9PBW3661C | 1200162 | Ex9PBW3662C | 1200202 | Ex9PBW3663C | 1200242 | Ex9PBW3664C | 1200282 | Ex9PBW3665C | 1200322 |
| ○ ● ● ● ● | 24 | Ex9PBW3161D | 1200163 | Ex9PBW3162D | 1200203 | Ex9PBW3163D | 1200243 | Ex9PBW3164D | 1200283 | Ex9PBW3165D | 1200323 |
| | | Ex9PBW3361D | 1200164 | Ex9PBW3362D | 1200204 | Ex9PBW3363D | 1200244 | Ex9PBW3364D | 1200284 | Ex9PBW3365D | 1200324 |
| | | Ex9PBW3461D | 1200165 | Ex9PBW3462D | 1200205 | Ex9PBW3463D | 1200245 | Ex9PBW3464D | 1200285 | Ex9PBW3465D | 1200325 |
| | | Ex9PBW3561D | 1200166 | Ex9PBW3562D | 1200206 | Ex9PBW3563D | 1200246 | Ex9PBW3564D | 1200286 | Ex9PBW3565D | 1200326 |
| | | Ex9PBW3661D | 1200167 | Ex9PBW3662D | 1200207 | Ex9PBW3663D | 1200247 | Ex9PBW3664D | 1200287 | Ex9PBW3665D | 1200327 |
| ○ ● ● ● ● | 36 | Ex9PBW3161E | 1200168 | Ex9PBW3162E | 1200208 | Ex9PBW3163E | 1200248 | Ex9PBW3164E | 1200288 | Ex9PBW3165E | 1200328 |
| | | Ex9PBW3361E | 1200169 | Ex9PBW3362E | 1200209 | Ex9PBW3363E | 1200249 | Ex9PBW3364E | 1200289 | Ex9PBW3365E | 1200329 |
| | | Ex9PBW3461E | 1200170 | Ex9PBW3462E | 1200210 | Ex9PBW3463E | 1200250 | Ex9PBW3464E | 1200290 | Ex9PBW3465E | 1200330 |
| | | Ex9PBW3561E | 1200171 | Ex9PBW3562E | 1200211 | Ex9PBW3563E | 1200251 | Ex9PBW3564E | 1200291 | Ex9PBW3565E | 1200331 |
| | | Ex9PBW3661E | 1200172 | Ex9PBW3662E | 1200212 | Ex9PBW3663E | 1200252 | Ex9PBW3664E | 1200292 | Ex9PBW3665E | 1200332 |
| ○ ● ● ● ● | 48 | Ex9PBW3161F | 1200173 | Ex9PBW3162F | 1200213 | Ex9PBW3163F | 1200253 | Ex9PBW3164F | 1200293 | Ex9PBW3165F | 1200333 |
| | | Ex9PBW3361F | 1200174 | Ex9PBW3362F | 1200214 | Ex9PBW3363F | 1200254 | Ex9PBW3364F | 1200294 | Ex9PBW3365F | 1200334 |
| | | Ex9PBW3461F | 1200175 | Ex9PBW3462F | 1200215 | Ex9PBW3463F | 1200255 | Ex9PBW3464F | 1200295 | Ex9PBW3465F | 1200335 |
| | | Ex9PBW3561F | 1200176 | Ex9PBW3562F | 1200216 | Ex9PBW3563F | 1200256 | Ex9PBW3564F | 1200296 | Ex9PBW3565F | 1200336 |
| | | Ex9PBW3661F | 1200177 | Ex9PBW3662F | 1200217 | Ex9PBW3663F | 1200257 | Ex9PBW3664F | 1200297 | Ex9PBW3665F | 1200337 |
| ○ ● ● ● ● | 110 | Ex9PBW3161N | 1200178 | Ex9PBW3162N | 1200218 | Ex9PBW3163N | 1200258 | Ex9PBW3164N | 1200298 | Ex9PBW3165N | 1200338 |
| | | Ex9PBW3361N | 1200179 | Ex9PBW3362N | 1200219 | Ex9PBW3363N | 1200259 | Ex9PBW3364N | 1200299 | Ex9PBW3365N | 1200339 |
| | | Ex9PBW3461N | 1200180 | Ex9PBW3462N | 1200220 | Ex9PBW3463N | 1200260 | Ex9PBW3464N | 1200300 | Ex9PBW3465N | 1200340 |
| | | Ex9PBW3561N | 1200181 | Ex9PBW3562N | 1200221 | Ex9PBW3563N | 1200261 | Ex9PBW3564N | 1200301 | Ex9PBW3565N | 1200341 |
| | | Ex9PBW3661N | 1200182 | Ex9PBW3662N | 1200222 | Ex9PBW3663N | 1200262 | Ex9PBW3664N | 1200302 | Ex9PBW3665N | 1200342 |
| ○ ● ● ● ● | 230 | Ex9PBW3161H | 1200183 | Ex9PBW3162H | 1200223 | Ex9PBW3163H | 1200263 | Ex9PBW3164H | 1200303 | Ex9PBW3165H | 1200343 |
| | | Ex9PBW3361H | 1200184 | Ex9PBW3362H | 1200224 | Ex9PBW3363H | 1200264 | Ex9PBW3364H | 1200304 | Ex9PBW3365H | 1200344 |
| | | Ex9PBW3461H | 1200185 | Ex9PBW3462H | 1200225 | Ex9PBW3463H | 1200265 | Ex9PBW3464H | 1200305 | Ex9PBW3465H | 1200345 |
| | | Ex9PBW3561H | 1200186 | Ex9PBW3562H | 1200226 | Ex9PBW3563H | 1200266 | Ex9PBW3564H | 1200306 | Ex9PBW3565H | 1200346 |
| | | Ex9PBW3661H | 1200187 | Ex9PBW3662H | 1200227 | Ex9PBW3663H | 1200267 | Ex9PBW3664H | 1200307 | Ex9PBW3665H | 1200347 |

22mm Pushbuttons

Ex9PBW3 380V and Ex9PBV6 Illuminated



B

Momentary Flush w/ Guard - Transformer

| Color | LED Lamp Voltage Vac/dc | Product | Part Number |
|------------|-------------------------|-------------|-------------|
| 1NO | | | |
| ○ | 380 | Ex9PBW3151K | 1200353 |
| ● | | Ex9PBW3351K | 1200354 |
| ● | | Ex9PBW3451K | 1200355 |
| ● | | Ex9PBW3551K | 1200356 |
| ● | | Ex9PBW3651K | 1200357 |
| 1NC | | | |
| ○ | 380 | Ex9PBW3152K | 1200358 |
| ● | | Ex9PBW3352K | 1200359 |
| ● | | Ex9PBW3452K | 1200360 |
| ● | | Ex9PBW3552K | 1200361 |
| ● | | Ex9PBW3652K | 1200362 |

Indicator Light

| Color | LED Lamp Voltage Vac/dc | Product | Part Number |
|------------|-------------------------|-----------|-------------|
| 6 | | | |
| ○ | 6 | Ex9PBV61A | 1200463 |
| ● | | Ex9PBV63A | 1200464 |
| ● | | Ex9PBV64A | 1200465 |
| ● | | Ex9PBV65A | 1200466 |
| ● | | Ex9PBV66A | 1200467 |
| 12 | | | |
| ○ | 12 | Ex9PBV61C | 1200468 |
| ● | | Ex9PBV63C | 1200469 |
| ● | | Ex9PBV64C | 1200470 |
| ● | | Ex9PBV65C | 1200471 |
| ● | | Ex9PBV66C | 1200472 |
| 24 | | | |
| ○ | 24 | Ex9PBV61D | 1200473 |
| ● | | Ex9PBV63D | 1200474 |
| ● | | Ex9PBV64D | 1200475 |
| ● | | Ex9PBV65D | 1200476 |
| ● | | Ex9PBV66D | 1200477 |
| 36 | | | |
| ○ | 36 | Ex9PBV61E | 1200478 |
| ● | | Ex9PBV63E | 1200479 |
| ● | | Ex9PBV64E | 1200480 |
| ● | | Ex9PBV65E | 1200481 |
| ● | | Ex9PBV66E | 1200482 |
| 48 | | | |
| ○ | 48 | Ex9PBV61F | 1200483 |
| ● | | Ex9PBV63F | 1200484 |
| ● | | Ex9PBV64F | 1200485 |
| ● | | Ex9PBV65F | 1200486 |
| ● | | Ex9PBV66F | 1200487 |
| 110 | | | |
| ○ | 110 | Ex9PBV61N | 1200488 |
| ● | | Ex9PBV63N | 1200489 |
| ● | | Ex9PBV64N | 1200490 |
| ● | | Ex9PBV65N | 1200491 |
| ● | | Ex9PBV66N | 1200492 |
| 230 | | | |
| ○ | 230 | Ex9PBV61H | 1200493 |
| ● | | Ex9PBV63H | 1200494 |
| ● | | Ex9PBV64H | 1200495 |
| ● | | Ex9PBV65H | 1200496 |
| ● | | Ex9PBV66H | 1200497 |

For accessories, see pages C27-33.

22mm Pushbuttons Ex9PBV5 and Ex9PBW8 Illuminated



Indicator Light - Transformer

| Color | Contacts | Product | Part Number |
|-------|----------|-----------|-------------|
| ○ | 380 | Ex9PBV51K | 1200498 |
| ● | | Ex9PBV53K | 1200499 |
| ● | | Ex9PBV54K | 1200500 |
| ● | | Ex9PBV55K | 1200501 |
| ● | | Ex9PBV56K | 1200502 |

Momentary Double Head - Flush+Projecting

| Color | Contacts | Product | Part Number |
|----------------|----------|-------------|-------------|
| 1NO+1NC | | | |
| | 6 | Ex9PBW8465A | 1200441 |
| | 12 | Ex9PBW8465C | 1200442 |
| | 24 | Ex9PBW8465D | 1200443 |
| ● + ● | 36 | Ex9PBW8465E | 1200444 |
| | 48 | Ex9PBW8465F | 1200445 |
| | 110 | Ex9PBW8465N | 1200446 |
| | 230 | Ex9PBW8465H | 1200447 |



Momentary Double Head - Flush+Projecting Transformer

| Color | Contacts | Product | Part Number |
|----------------|----------|------------|-------------|
| 1NO+1NC | | | |
| ● + ● | 380 | Ex9PBW8455 | 1200440 |

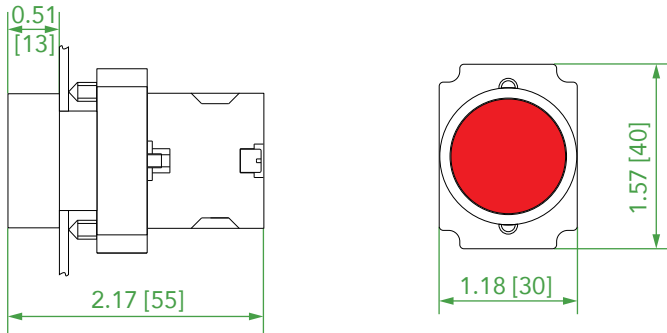
For accessories, see pages C27-33.

22mm Pushbuttons

Ex9PB Dimensions

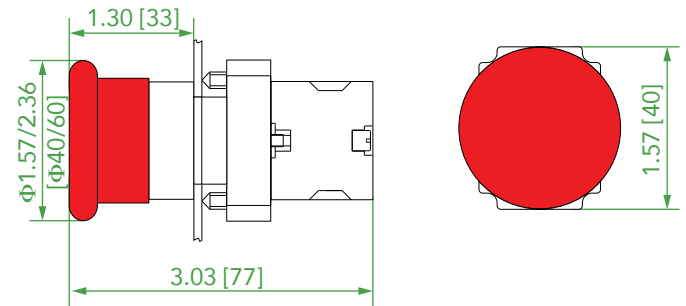
Ex9PBA

Unit: in. [mm]



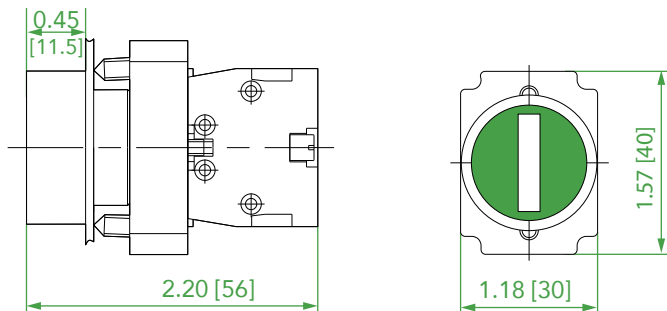
Ex9PBC/Ex9PBR

Unit: in. [mm]



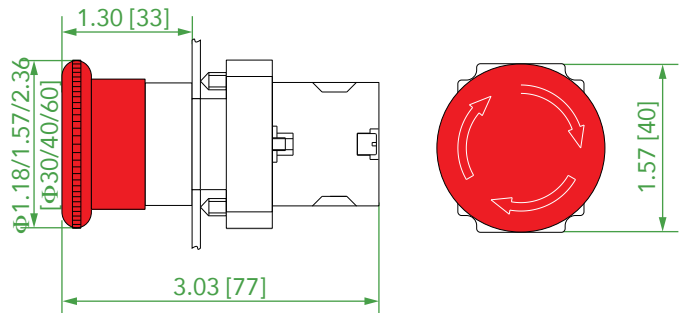
Ex9PBA+Symbol

Unit: in. [mm]



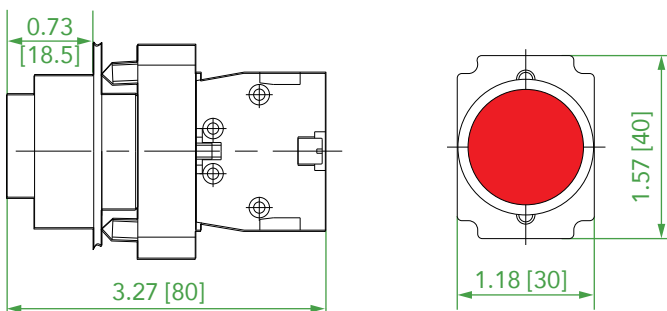
Ex9PBS

Unit: in. [mm]



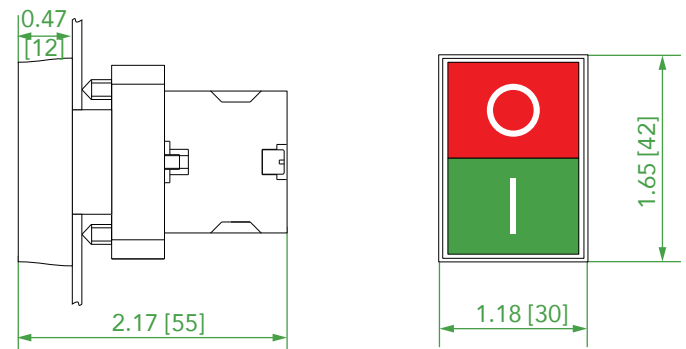
Ex9PBL

Unit: in. [mm]



Ex9PBL8

Unit: in. [mm]

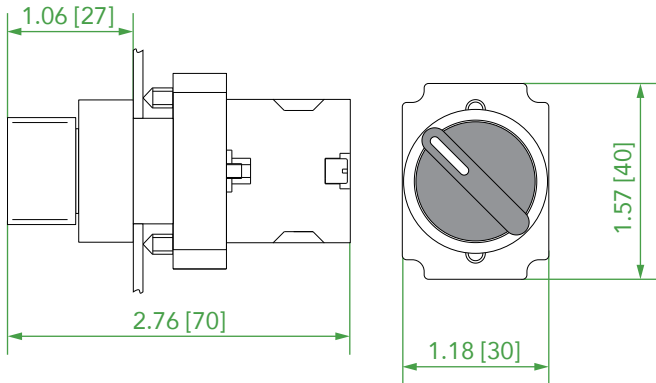


B

22mm Pushbuttons Ex9PB Dimensions

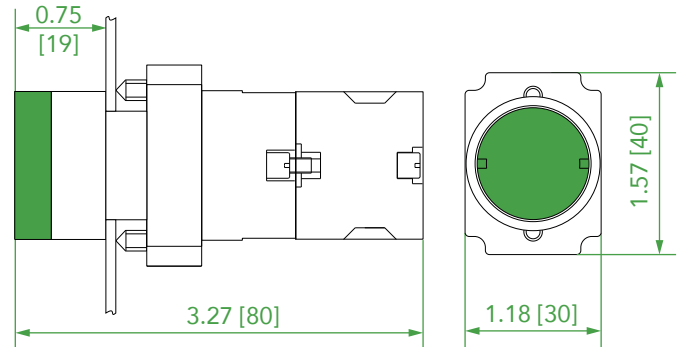
Ex9PBD

Unit: in. [mm]



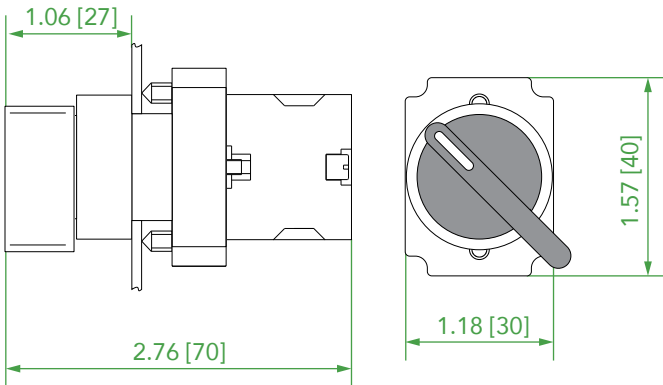
Ex9PBW3

Unit: in. [mm]



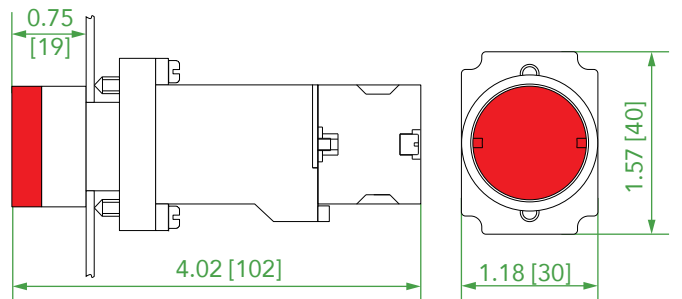
Ex9PBJ

Unit: in. [mm]



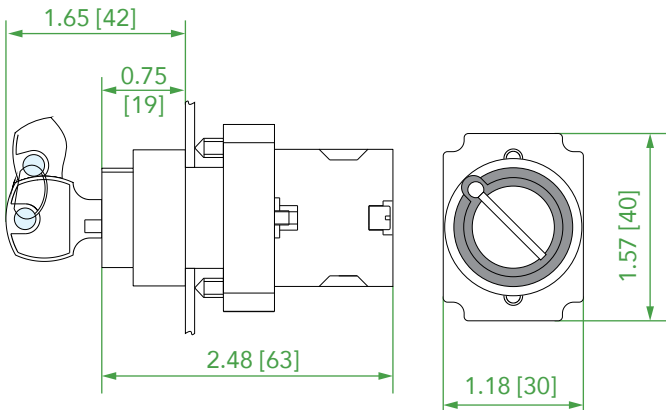
Ex9PBW 380V

Unit: in. [mm]



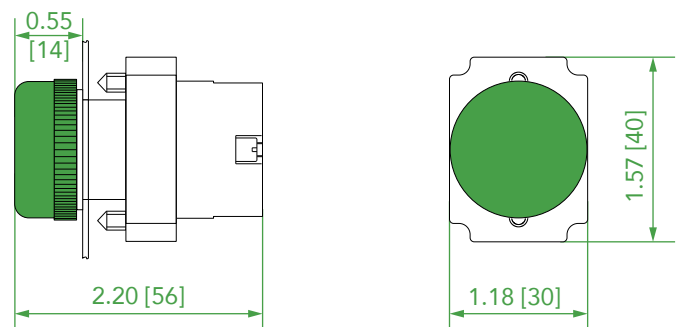
Ex9PBG

Unit: in. [mm]



Ex9PBV6

Unit: in. [mm]

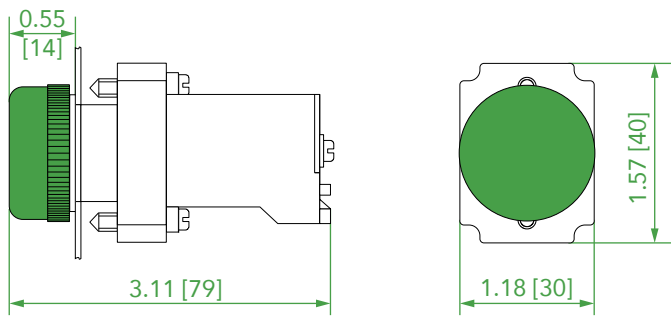


22mm Pushbuttons

Ex9PB Dimensions

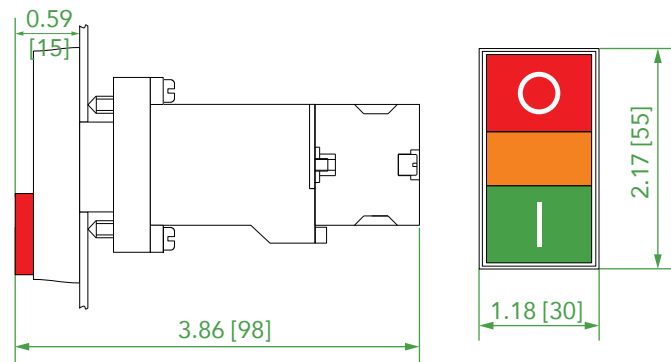
Ex9PBV5

Unit: in. [mm]



Ex9PBW8

Unit: in. [mm]



B

PUSHBUTTON ACCESSORIES



22mm Pushbuttons Accessories Overview

Replacement Heads



Non-Illuminated
Momentary Flush Head



Non-Illuminated
Φ40/60 mm Mushroom Head



Non-Illuminated
Φ30/40/60 mm Mushroom Head



Non-Illuminated
Flush Double Head



Non-Illuminated
Flush+Projecting Double Head



Non-Illuminated Selector
Switch Rotary Knob Head



Non-Illuminated Selector
Switch Rotary Key Head



Illuminated Momentary Flush
with Guard Head



Illuminated
Flush+Projecting Double Head



Illuminated
Indicator Light Head

Accessories



Middle Adapter



Φ60 mm Warning Label



Φ90 mm Warning Label



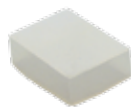
Name Plate



Waterproof Head Enclosure



Waterproof Head Enclosure



Waterproof Head Enclosure



Waterproof Head Enclosure

Contacts, Bases & Lamps



Contact Blocks,
Illuminated LED Button and
Indicator Light Bases



LED Lamp Replacements

22mm Pushbuttons

Ex9PB Replacement Heads - Non-Illuminated



| Accessory Description | Color | Product | Part Number |
|--|-------|---------|-------------|
| Non-Illuminated Momentary Flush Replacement Head | ○ | Ex9PBA1 | 1200559 |
| | ● | Ex9PBA2 | 1200560 |
| | ● | Ex9PBA3 | 1200561 |
| | ● | Ex9PBA4 | 1200562 |
| | ● | Ex9PBA5 | 1200563 |
| | ● | Ex9PBA6 | 1200564 |



| Accessory Description | Color | Product | Part Number | Product | Part Number |
|--|-------|---------|-------------|---------|-------------|
| | | Φ40 mm | | Φ60 mm | |
| Non-Illuminated Mushroom Head Replacement Head | ○ | Ex9PBC1 | 1200745 | Ex9PBR1 | 1200751 |
| | ● | Ex9PBC2 | 1200746 | Ex9PBR2 | 1200752 |
| | ● | Ex9PBC3 | 1200747 | Ex9PBR3 | 1200753 |
| | ● | Ex9PBC4 | 1200748 | Ex9PBR4 | 1200754 |
| | ● | Ex9PBC5 | 1200749 | Ex9PBR5 | 1200755 |
| | ● | Ex9PBC6 | 1200750 | Ex9PBR6 | 1200756 |



| Accessory Description | Color | Product | Part Number |
|--|-------|----------|-------------|
| | | Φ30 mm | |
| Non-Illuminated Mushroom Head Push On/Twist Off Replacement Head | ● | Ex9PBS44 | 1200757 |
| | | Φ40 mm | |
| | | Ex9PBS54 | 1200758 |
| | | Φ60 mm | |
| | | Ex9PBS64 | 1200759 |



| Accessory Description | Color | Product | Part Number |
|--|-------|-----------|-------------|
| Non-Illuminated Flush Double Head Replacement Head | ● + ● | Ex9PBL832 | 1200570 |



| Accessory Description | Color | Product | Part Number |
|---|-------|-----------|-------------|
| Non-Illuminated Flush+Projecting Double Head Replacement Head | ● + ● | Ex9PBL842 | 1200571 |

22mm Pushbuttons

Ex9PB Replacement Heads - Non-Illuminated



| Accessory Description | Positions | Product | Part Number |
|--|------------|------------|-------------|
| | | 2-Position | |
| Non-Illuminated Selector Switch - Rotary Knob Replacement Head | | Ex9PBD2 | 1200578 |
| | | Ex9PBD4 | 1200580 |
| | 3-Position | | |
| | | Ex9PBD3 | 1200579 |
| | | Ex9PBD5 | 1200581 |

C



| Accessory Description | Positions | Product | Part Number |
|--|------------|------------|-------------|
| | | 2-Position | |
| Non-Illuminated Selector Switch - Key Replacement Head | | Ex9PBG2 | 1200582 |
| | | Ex9PBG2B | 1200583 |
| | | Ex9PBG4 | 1200586 |
| | 3-Position | | |
| | | Ex9PBG3 | 1200584 |
| | | Ex9PBG3D | 1200585 |
| | Ex9PBG5 | 1200587 | |

22mm Pushbuttons

Ex9PB Replacement Heads - Illuminated



| Accessory Description | Color | Product | Part Number |
|--|-------|----------|-------------|
| Illuminated LED Momentary Flush Replacement Head | ○ | Ex9PBW31 | 1200565 |
| | ● | Ex9PBW33 | 1200566 |
| | ● | Ex9PBW34 | 1200567 |
| | ● | Ex9PBW35 | 1200568 |
| | ● | Ex9PBW36 | 1200569 |



| Accessory Description | Color | Product | Part Number |
|---|-------|----------|-------------|
| Illuminated LED Flush+Projecting Double Head Replacement Head | ● + ● | Ex9PBW84 | 1200572 |



| Accessory Description | Color | Product | Part Number |
|--|-------|----------|-------------|
| Illuminated LED Indicator Light Replacement Head | ○ | Ex9PBV/1 | 1200573 |
| | ● | Ex9PBV/3 | 1200574 |
| | ● | Ex9PBV/4 | 1200575 |
| | ● | Ex9PBV/5 | 1200576 |
| | ● | Ex9PBV/6 | 1200577 |

22mm Pushbuttons

Ex9PB Accessories



| Accessory Description | Color | Product | Part Number |
|-----------------------|-------|-----------|-------------|
| Middle Adapter | Metal | Ex9PBZ009 | 1200588 |



| Accessory Description | Imprint | Product | Part Number |
|-------------------------|---------|------------|-------------|
| Warning Label Φ60 mm | Printed | Ex9PBY9101 | 1200589 |
| | Blank | Ex9PBY9330 | 1200590 |

C



| Accessory Description | Imprint | Product | Part Number |
|-------------------------|---------|------------|-------------|
| Warning Label Φ90 mm | Printed | Ex9PBY8101 | 1200591 |
| | Blank | Ex9PBY8330 | 1200592 |



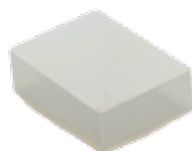
| Accessory Description | Size | Product | Part Number |
|-----------------------|--|----------|-------------|
| Name Plate | 1.18 in. (H) x 1.77 in. (L) 30mm (H) x 45mm (L) | Ex9PBZ31 | 1200593 |



| Accessory Description | Compatible With | Product | Part Number |
|---------------------------|-----------------|---------|-------------|
| Waterproof Head Enclosure | Ex9PBP | Ex9PBPB | 1200594 |



| Accessory Description | Compatible With | Product | Part Number |
|---------------------------|-----------------|---------|-------------|
| Waterproof Head Enclosure | Ex9PBA | Ex9PBAF | 1200595 |



| Accessory Description | Compatible With | Product | Part Number |
|---------------------------|-----------------|------------|-------------|
| Waterproof Head Enclosure | Ex9PBL832 | Ex9PBL832F | 1200596 |



| Accessory Description | Compatible With | Product | Part Number |
|---------------------------|-----------------|------------|-------------|
| Waterproof Head Enclosure | Ex9PBL842 | Ex9PBL842F | 1200597 |

22mm Pushbuttons

Ex9PB Contact Blocks and Bases



| Accessory Description | Poles | Product | Part Number |
|-----------------------|-------|-----------|-------------|
| Contact Block | NO | Ex9PBE101 | 1200598 |



| Accessory Description | Poles | Product | Part Number |
|-----------------------|-------|-----------|-------------|
| Contact Block | NC | Ex9PBE102 | 1200599 |

| Accessory Description | Voltage | Product | Part Number |
|--------------------------------|---------|----------|-------------|
| Illuminated LED Button Base | 6~230V | Ex9PBEW4 | 1200760 |
| | 380V | Ex9PBEW6 | 1200762 |

| Accessory Description | Voltage | Product | Part Number |
|---|---------|----------|-------------|
| Illuminated LED Indicator Light Base | 6~230V | Ex9PBEV4 | 1200761 |
| | 380V | Ex9PBEV6 | 1200763 |

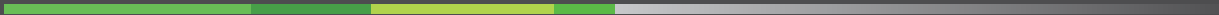
22mm Pushbuttons

Ex9PB LED Lamp Replacements



| Accessory Description | Color | Voltage Vac/dc | Product | Part Number |
|-----------------------|----------|----------------|----------|-------------|
| LED Lamp Replacement | ○ | 6 | Ex9PBS1A | 1200600 |
| | ● | | Ex9PBS3A | 1200601 |
| | ● | | Ex9PBS4A | 1200602 |
| | ● | | Ex9PBS5A | 1200603 |
| | ● | | Ex9PBS6A | 1200604 |
| | ○ | | 12 | Ex9PBS1C |
| | ● | Ex9PBS3C | | 1200606 |
| | ● | Ex9PBS4C | | 1200607 |
| | ● | Ex9PBS5C | | 1200608 |
| | ● | Ex9PBS6C | | 1200609 |
| | ○ | 24 | | Ex9PBS1D |
| | ● | | Ex9PBS3D | 1200611 |
| | ● | | Ex9PBS4D | 1200612 |
| | ● | | Ex9PBS5D | 1200613 |
| | ● | | Ex9PBS6D | 1200614 |
| | ○ | | 36 | Ex9PBS1E |
| | ● | Ex9PBS3E | | 1200616 |
| | ● | Ex9PBS4E | | 1200617 |
| | ● | Ex9PBS5E | | 1200618 |
| | ● | Ex9PBS6E | | 1200619 |
| | ○ | 48 | | Ex9PBS1F |
| | ● | | Ex9PBS3F | 1200621 |
| | ● | | Ex9PBS4F | 1200622 |
| | ● | | Ex9PBS5F | 1200623 |
| ● | Ex9PBS6F | | 1200624 | |
| ○ | 110 | | Ex9PBS1N | 1200625 |
| ● | | Ex9PBS3N | 1200626 | |
| ● | | Ex9PBS4N | 1200627 | |
| ● | | Ex9PBS5N | 1200628 | |
| ● | | Ex9PBS6N | 1200629 | |
| ○ | | 230 | Ex9PBS1H | 1200630 |
| ● | Ex9PBS3H | | 1200631 | |
| ● | Ex9PBS4H | | 1200632 | |
| ● | Ex9PBS5H | | 1200633 | |
| ● | Ex9PBS6H | | 1200634 | |

C






NOARK



NOARK Electric North America

(414) 304-8189

www.NoarkUSA.com • NASales@Noark-Electric.com



Note: NOARK Electric reserves the right to make technical changes or modify the contents of this document without prior notice. With regard to purchase orders, the agreed particulars shall prevail. NOARK Electric does not accept any responsibility whatsoever for potential errors or possible lack of information in this document. NOARK Electric reserves all rights in this document and in the subject matter and illustrations contained therein. Any reproduction, disclosure to third parties or utilization of its contents – in whole or in parts – is forbidden without prior written consent of NOARK Electric.